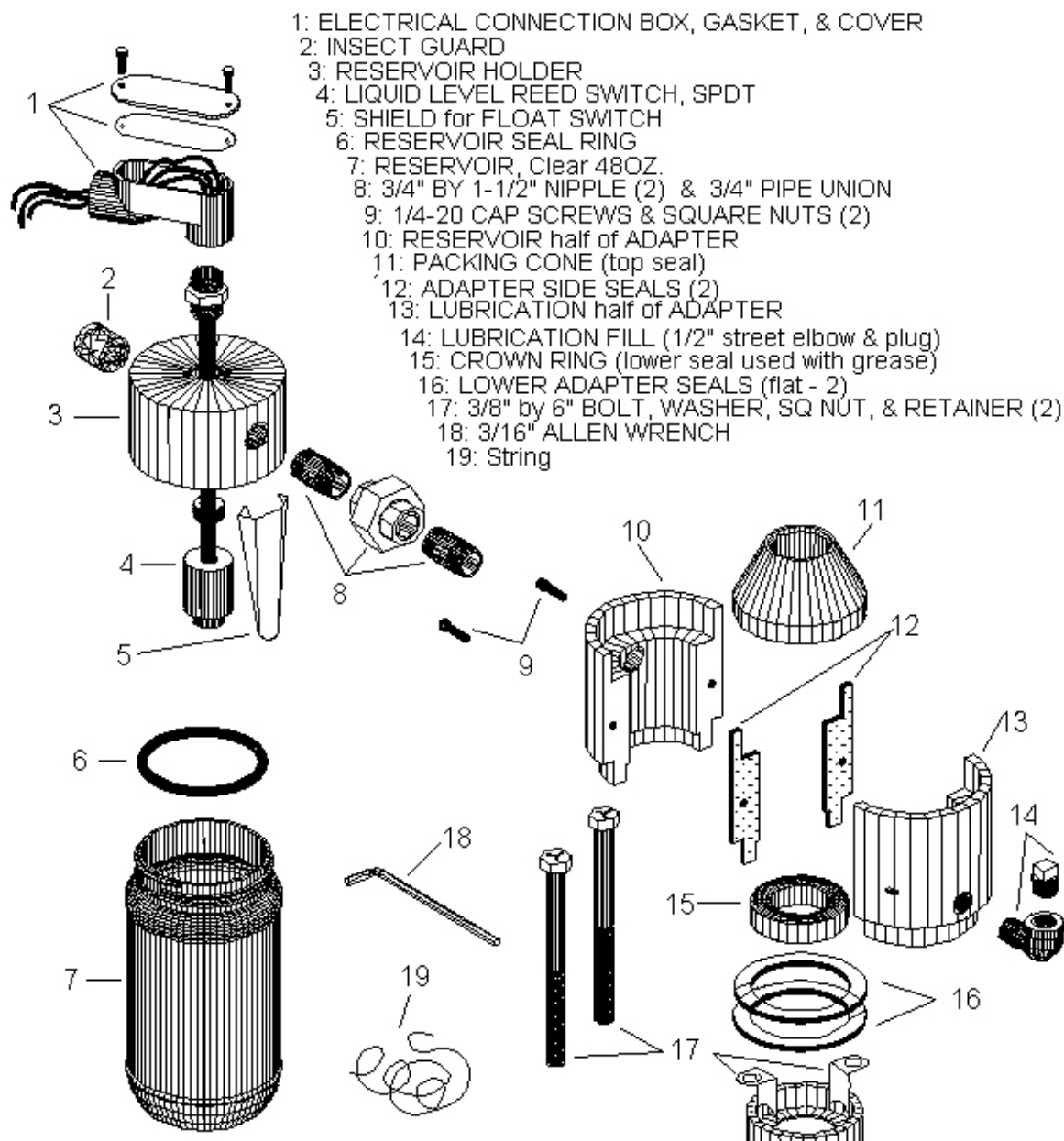


STUFFING BOX LEAK DETECTOR

MODEL 0494 - CONE PACK

SCHEMATIC & PARTS LIST



AZURE ENVIRONMENTAL, LTD. Revised: October 2007
 Tulsa, Oklahoma U.S. PATENT 5,148,699 September 22, 1992
 (918) 712-2727 or (800) 492-4393 FAX (918) 747-6131 or (877) 747-6132